

## Application

AC-21R and AC-22R control dampers employ a sturdy round frame and triple V blades for automatic air control and manual balancing in low to medium pressure and velocity applications.

## Standard Construction

**Frame:** 2" x 16 ga. (51 x 1.6) Model AC-21R; 3" x 16 ga (76 x 1.6) [12 ga. (2.8) for D > 24" (610)] Model AC-22R; galvanized steel.

**Blades:** 16 gauge (1.5) galvanized steel — triple V.

**Axles:** 1/2" (13) diameter plated steel.

**Linkage:** Concealed in frame.

**Bearings:** Synthetic

**Control Shaft:** 1/2" x 3" (13 x 76) drive axle.

**Minimum Size:** Model AC-21R (single blade): 5" Ø (127 Ø)  
Model AC-22R (opposed blade): 12" Ø (305 Ø)

**Maximum Size:** Model AC-21R (single blade): 24" Ø (610 Ø)  
Model AC-22R (opposed blade): 36" Ø (914 Ø)

## Options

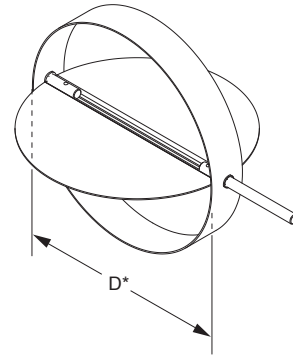
- Factory installed external mount actuator: (requires sleeve option).
  - Manual locking quadrant (supplied loose, sleeve not required).
  - 24 VAC  120 VAC  230 VAC
    - Pneumatic  Modulating
- Factory installed sleeve:  12" x 20 ga. (305 x 1.0) Std.
  - Gauge:  20 (1.0)  16 (1.6)
  - Length:  6" (152)  8" (203)  10" (254)  Other \_\_\_\_
- Actuator Mounting Bracket.
- Actuator/Quadrant standoff bracket - accommodates up to 1" (25) thick insulated duct.
- Low leakage seals.
- Stainless steel oilite bearings.
- Type-304 stainless steel construction.
- Type-304 stainless steel linkage - model AC-22R only.

## Ratings

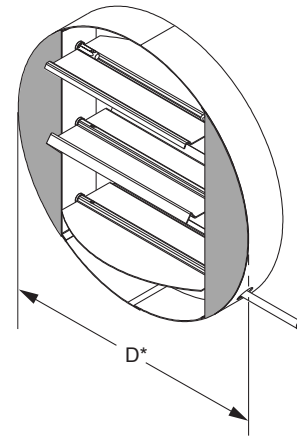
**Maximum System Velocity:** 1500 fpm (7.7 m/s)

**Maximum System Pressure:** 1.0 in. wg (0.25 kPa) for Model AC-21R;  
2.5 in. wg (0.62 kPa) for Model AC-22R.

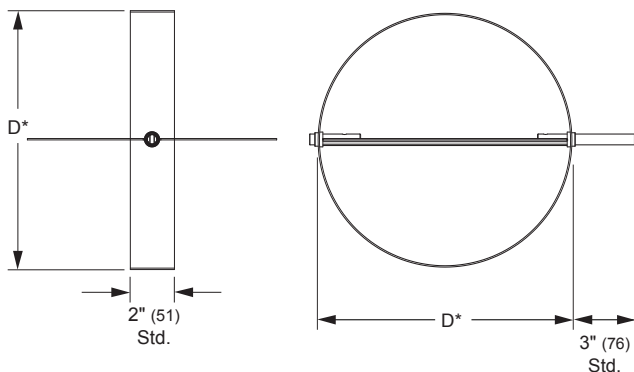
**Temperature:** -25°F to 180°F (-32°C to 83°C)



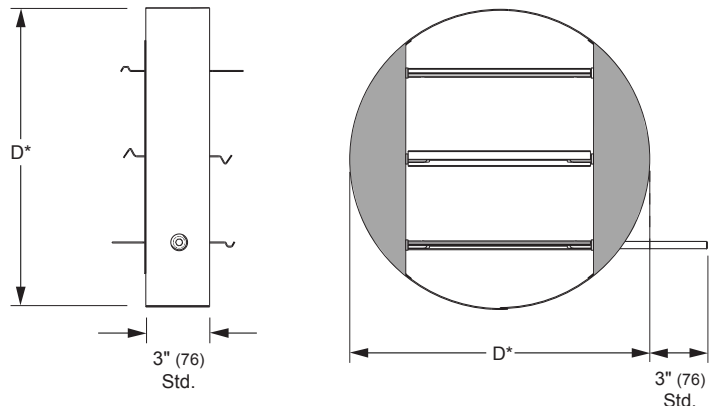
Model **AC-21R**  
(standard)  
(single blade type)



Model **AC-22R**  
(standard)  
(opposed blade type)



Side/Front View  
(single blade)



Side/Front View  
(opposed blade)

\*Damper dimensions furnished approximately 1/4" (6) undersize.

Information is subject to change without notice or obligation.

**NOTE:** Dimensions in parentheses ( ) are millimeters.