

### Application

BD-10R backdraft dampers employ gravity operated butterfly style blades to restrict reverse airflow and to permit the forward flow of air in the intended direction. The BD-20R damper may be mounted vertically or horizontally in either exhaust or intake installations for low velocity and pressure applications.

### Standard Construction

**Frame:** 24 ga. (0.70) [ 22 ga (0.85) for  $D \geq 14"$  ] galvanized steel.

**Blades:** 24 ga. (0.51) [ 26 ga (0.40) for  $D \geq 14"$  ] aluminum - butterfly

**Seals:** Rubber blade edge seals.

**Minimum Size:** 4"  $\varnothing$  (102  $\varnothing$ )

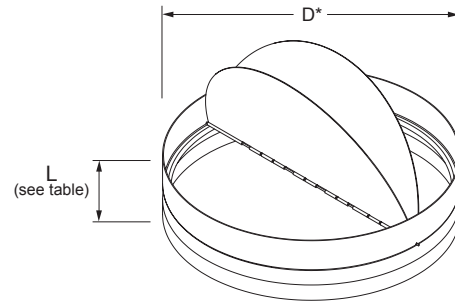
**Maximum Size:** 16"  $\varnothing$  (406  $\varnothing$ )

### Ratings

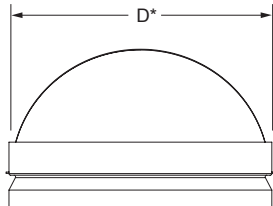
**Maximum System Velocity:** 1000 fpm (5.1 m/s)

**Maximum System Pressure:** 1 in. wg (0.25 kPa)

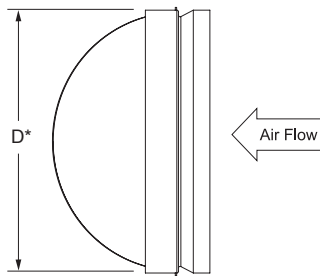
**Temperature:** -20°F to 130°F (-29°C to 54°C)



Model **BD-10R**  
(standard)



Horizontal Mount  
(up flow only)



Vertical Mount

Frame Table Length	
Damper Diameter	Frame Length 'L'
D = 4" (102)	3.25" (83)
4" (102) < D ≤ 8" (203)	3.125" (79)
8" (203) < D ≤ 12" (305)	3" (76)
12" (305) < D ≤ 16" (406)	6.375" (162)

Control Dampers **BD10R** (1/1) April 2009

\*Damper dimensions furnished approximately 1/8" (3) undersize.

Information is subject to change without notice or obligation.

**NOTE:** Dimensions in parentheses ( ) are millimeters.