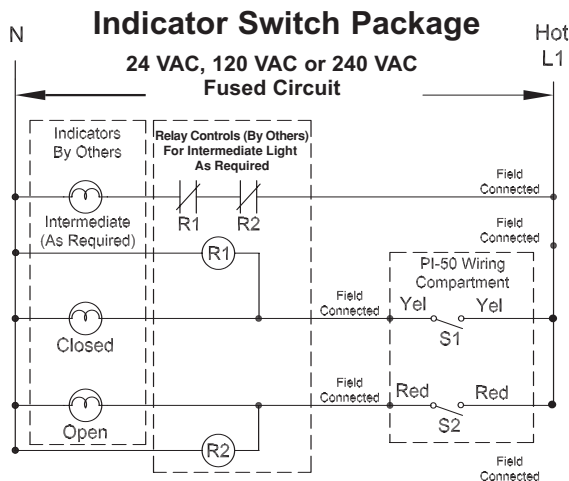
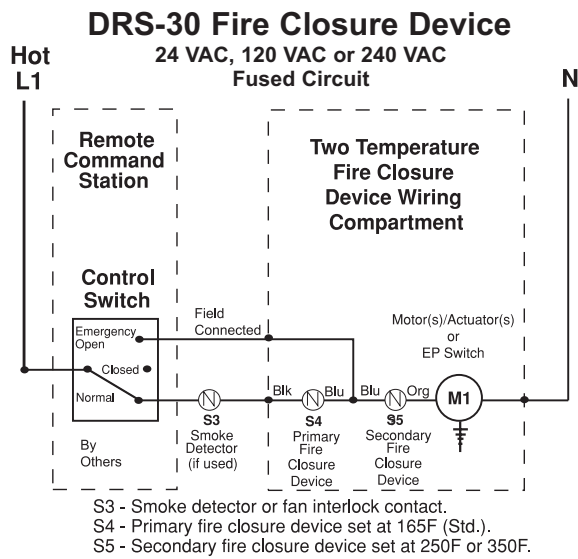


## Application

The DRS-30 fire closure device employs a two-temperature, manually resettable, electric thermostat sensor to interrupt the electrical power to actuators used on fire/smoke dampers. The DRS-30 permits testing of the damper closure by applying direct heat to the one or both of the sensor's discs or by physically depressing one of the discs from the inside of the damper sleeve. The damper can be reopened by manually resetting the sensor from the exterior side of the damper sleeve, once the disc has cooled down below its set temperature. In addition to the fire closure device, the DRS-30 is factory equipped with an indicator switch package that employs an in-jamb assembly plate consisting of two single pole, double throw micro switches to provide full open and full closed blade indication from a remote location. The indicator switch package is factory installed directly to a damper blade.

## Wiring Diagrams



## Ratings

125/250 VAC, 12A  
250 VAC, 1/3HP; 125 VAC, 1/6HP  
250 VDC, 1/4A; 125 VDC, 1/2A  
Max. ambient temp. 257°F (125°C)

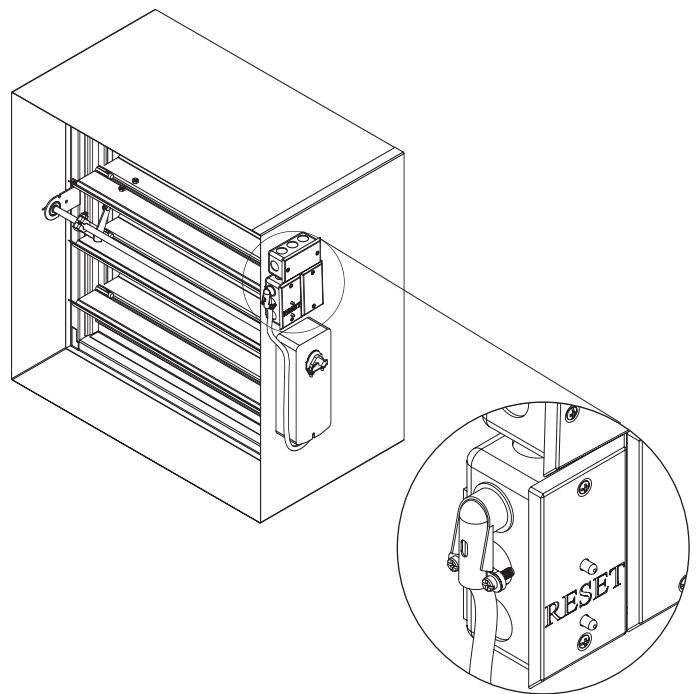
## Listings

UL 555 listing: R14981

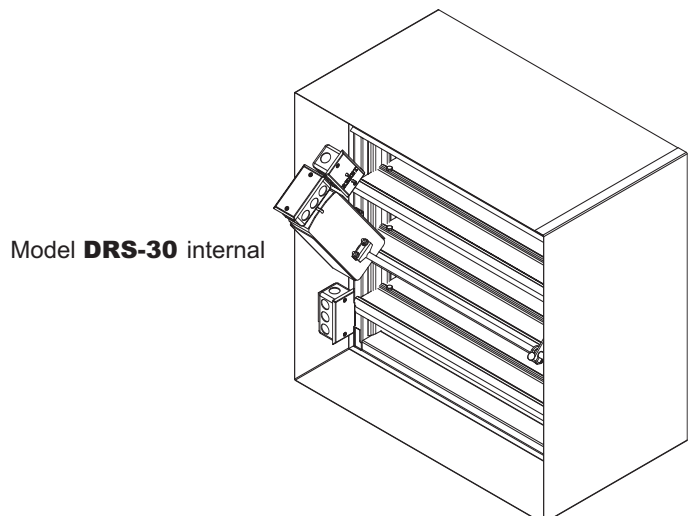
CSFM listing: 3225-1404:109, 3225-1404:105,  
3225-1404:108, 3230-1404:111,  
3230-1404:106, 3230-1404:107

Meets NFPA Standards: 90A, 92A, 92B and 101

Meets Building Code Standards: IBC, NBC, NFPA, SBC and UBC



Model **DRS-30** external



Model **DRS-30** internal