

## Application

The FD4D-3C fire damper employs out of the air stream frame and curtain style blades for point-of-origin control of fire in static and dynamic HVAC systems. The FD4D-3C is qualified to 4,000 ft/min (20.4 m/s) and 4 in.wg. (1.0 kPa) and may be installed in vertical walls or partitions with fire resistance ratings up to 4 hours.

## Standard Construction

- Frame:** 22 gauge (0.85) galvanized steel.
- Blades:** 24 gauge (0.7) galvanized steel – curtain style.
- Fire Closure Device:** Fusible link.
- Fire Closure Temperature:** 165°F (75°C).
- Minimum Size:** 4" × 3" (102 × 76)
- Maximum Size:** 34" × 32" (864 × 813)

## Options

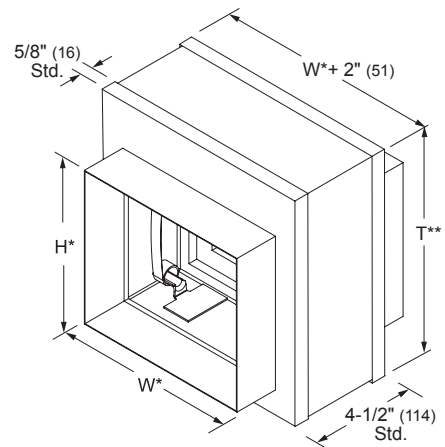
- Factory installed sleeve:
  - Gauge:  20 (1.0)  18 (1.3)  16 (1.6)  14 (2.0)  10 (3.5)
  - Length:  12" (305)  16" (406)  24" (610)  Other \_\_\_\_\_
- Transitions:
  - Round  Oval
  - Duct connections (sleeve required):
    - 1" (25) S-clip  1½" (38) S-clip  DM-25  DM-35  WARD
- 16 ga. (1.6) retaining angle systems:
  - Picture frame:  SSPF (single-side)  DSPF (2-sided)
  - Individual angle sets:  SS (single-side)  DS (2-sided)
- Alternate fire closure temperature.
  - 212°F (100°C)
- Duct access door factory mounted in common sleeve.

## Ratings

- UL 555 Fire Resistance Rating:** 3 hour (vertical)
- \*\*\* Maximum Dynamic Closure Velocity:** 4,000 fpm (20.3 m/s)
- Maximum UL555S Rated Pressure:** 4 in.wg. (1.0 kPa)

## Listings

- UL 555 listing:** R14981
- CSFM listing:** 3225-1404:101
- Meets NFPA Standards:** 90A, 92A, 92B and 101
- Meets Building Code Standards:** IBC, NBC, NFPA, SBC and UBC



\* Damper dimensions furnished approximately 1/4" (6) undersize.

† Damper dimensions furnished approximately 1/8" (3) undersize.

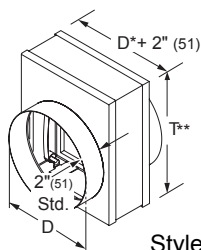
Model **FD4D-3C**  
(standard)

### Round Transitions

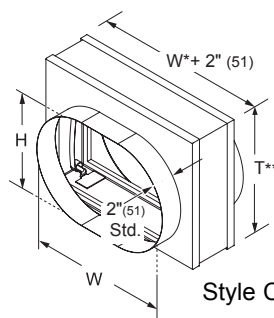
(Standard with D=W=H. Available with D<W and H)

### Oval Transitions

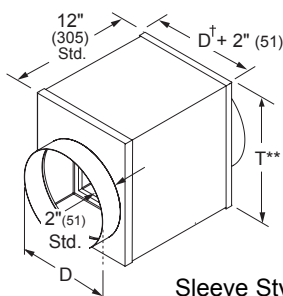
(Standard with W and H equal to damper width and height dimensions. Available with W and H smaller than damper width and height)



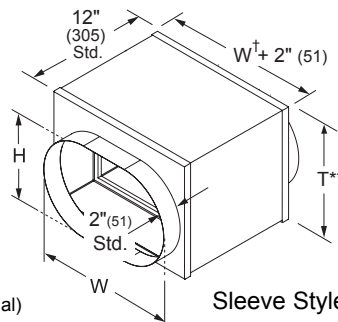
Style CR (optional)



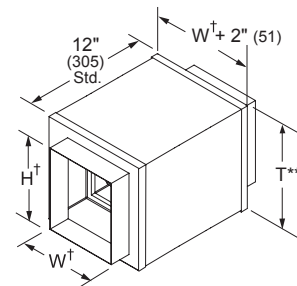
Style CO (optional)



Sleeve Style CR (optional)



Sleeve Style CO (optional)

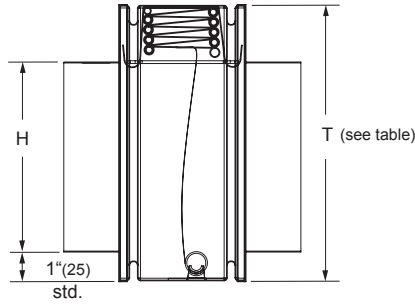


Sleeve Style C (optional)

\*\*\* 4000 fpm (20.3 m/s) limited to:

- Single Section: Vertical: 34" × 43" (864 × 1092)
- Horizontal: 34" × 15" (864 × 381)
- Multiple Section: Horizontal: 34" × 33" (864 × 838)
- 70" × 15" (1778 × 381)

# Damper Height Dimensional Data



Nominal Duct Height 'H'	Damper Height 'T'
3" (76)	6" (152)
4" (102)	7" (178)
5" (127)	8" (203)
6" (152)	9" (229)
7" (178)	10" (254)
8" (203)	11" (279)
9" (229)	12" (305)
10" (254)	13" (330)
11" (279)	14" (356)
12" (305)	15" (381)
13" (330)	16" (406)
14" (356)	17" (432)
15" (381)	18" (457)
16" (406)	19" (483)
17" (432)	20" (508)
18" (457)	21" (533)
19" (483)	22" (559)
20" (508)	23" (584)
21" (533)	24" (610)
22" (559)	25" (635)
23" (584)	26" (660)
24" (610)	28" (686)
25" (635)	29" (711)
26" (660)	30" (737)
27" (686)	31" (762)
28" (711)	32" (787)
29" (737)	33" (813)
30" (762)	34" (838)
31" (787)	35" (864)
32" (813)	36" (889)