

## Application

The FD4D-IMB fire damper employs out of the air stream curtain style blades and a factory installed integral mounting angle for point-of-origin control of fire in static and dynamic HVAC systems. The integral mounting angle is designed and approved to be fastened directly to the fire separation and may be installed under the drywall in metal stud construction. The FD4D-IMB is qualified to 4,000 ft/min (20.4 m/s) and 4 in.wg. (1.0 kPa) and may be installed in vertical walls or partitions with fire resistance ratings up to 2 hours.

## Standard Construction

**Sleeve/Frame:** Integral 12" × 20 gauge (305 × 1.0) galvanized steel with 1½" × 20 gauge (38 × 1.0) galvanized steel integral single side mounting angle.

**Blades:** 24 gauge (0.7) galvanized steel – curtain style.

**Fire Closure Device:** UL listed fusible link.

**Fire Closure Temperature:** 165°F (75°C).

**Minimum Size:** 6" × 4" (152 × 102)

**Maximum Size:** Single section: Vertical: 36" × 44" (914 × 1118)

## Options

- Alternate sleeve/frame length:
  - 16" (406)  Other \_\_\_\_\_
- Transitions:  Round  Oval
  - Duct connections:
    - 1" (25) S-clip  1½" (38) S-clip  DM-25  DM-35  WARD
- Alternate fire closure temperature.
  - 212°F (100°C)
- Generic mullion for oversized masonry or concrete openings.

## Ratings

**UL 555 Fire Resistance Rating:** 1½ hour (vertical)

**Maximum Dynamic Closure Velocity:** 4,000 fpm (20.4 m/s)

**Maximum UL555S Rated Pressure:** 4 in.wg. (1.0 kPa)

## Listings

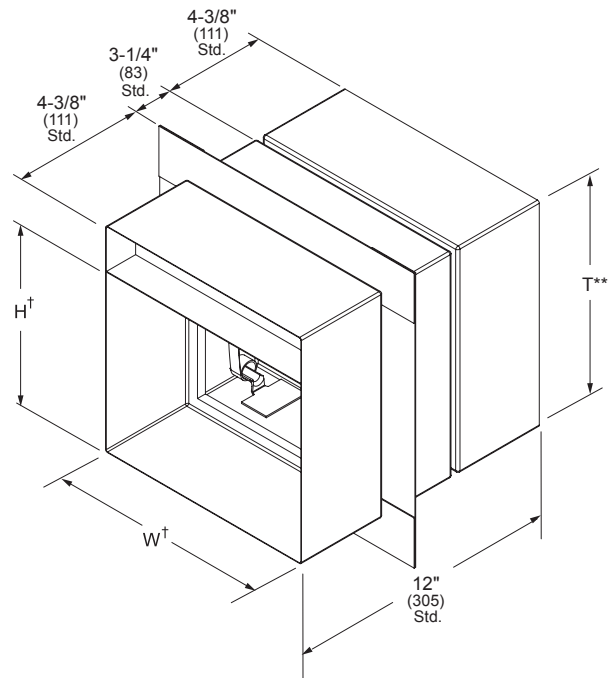
**UL 555 listing:** R14981

**CSFM listing:** 3225-1404:101

**New York City MEA listing:** 295-98-E

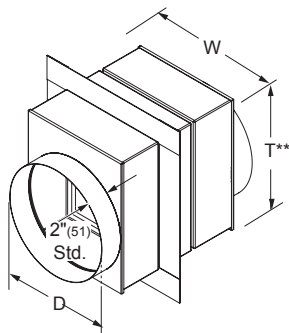
**Meets NFPA Standards:** 90A, 92A, 92B and 101

**Meets Building Code Standards:** IBC, NBC, NFPA, SBC and UBC

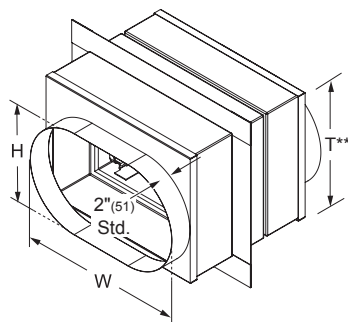


**Model FD4D-IMB**  
(standard)

†Damper dimensions furnished approximately 1/8" (3) undersize.



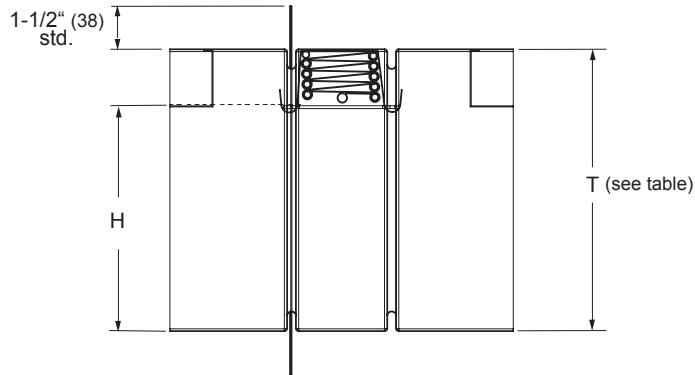
**Style BR** (optional)  
Round duct transitions are standard with D=W. (available with D<W)



**Style BO** (optional)  
Oval duct transitions are standard with W equal to damper width dimension. (available with W smaller than damper width)

\*\*See table on next page for 'T' dimension

# Damper Height Dimensional Data



Nominal Duct Height 'H'	Damper Height 'T'
4" (102)	6" (152)
5" (127)	7" (178)
6" (152)	8" (203)
7" (178)	9" (229)
8" (203)	10" (254)
9" (229)	11" (279)
10" (254)	12" (305)
11" (279)	13" (330)
12" (305)	14" (356)
13" (330)	15" (381)
14" (356)	16" (406)
15" (381)	17" (432)
16" (406)	18" (457)
17" (432)	19" (483)
18" (457)	20" (508)
19" (483)	21" (533)
20" (508)	22" (559)
21" (533)	23" (584)
22" (559)	24" (610)
23" (584)	25" (635)
24" (610)	26" (660)
25" (635)	28" (686)
26" (660)	29" (711)
27" (686)	30" (737)
28" (711)	31" (762)
29" (737)	32" (787)
30" (762)	33" (813)
31" (787)	34" (838)
32" (813)	35" (864)
33" (838)	36" (889)
34" (864)	37" (914)
35" (889)	38" (940)
36" (914)	39" (965)
37" (940)	41" (991)
38" (965)	42" (1016)
39" (991)	43" (1041)
40" (1016)	44" (1067)
41" (1041)	45" (1092)
42" (1067)	46" (1118)
43" (1092)	47" (1194)
44" (1118)	48" (1219)