

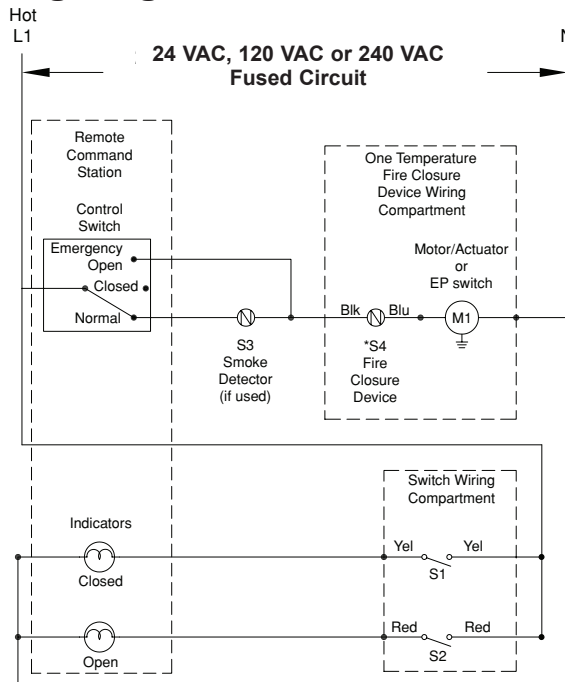
## Application

The RCP-1 remote control panel device employs a three-position control switch to permit the reopening of a closed damper for smoke purging and/or pressurization in static and dynamic smoke control systems. Where secured control of damper opening/closing is required, the RCP-1K utilizes a three-position key-switch in lieu of the standard three-position control switch. In addition, the RCP-1 and RCP-1K remote control panel devices are equipped so that they can be integrated with two position indicator switches to signal the full-open or full-closed position of a damper. A red indicator light signals that the damper is in the full-closed position. A green indicator light signals that the damper is fully open.

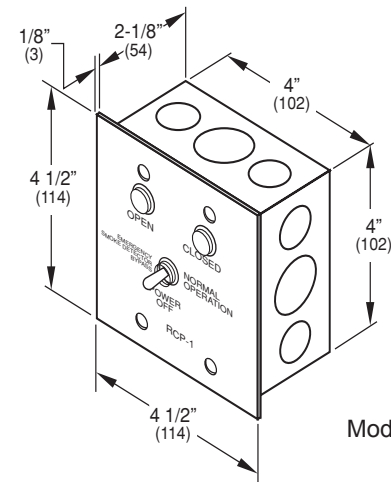
## Ratings

125/250 VAC, 12A  
250 VAC, 1/3HP; 125 VAC, 1/6HP  
250 VDC, 1/4A; 125 VDC, 1/2A  
Max. ambient temp. 257°F (125°C)

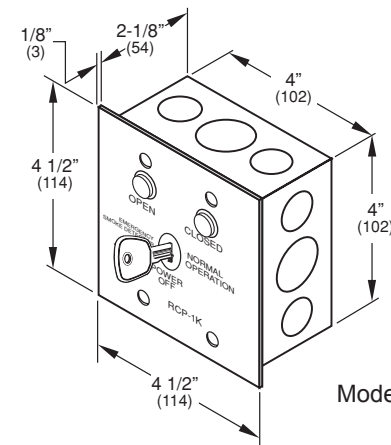
## Wiring Diagram



- S1 & S2** - Damper position indicator switches.  
S1 - Closes when damper is closed.  
S2 - Closes when damper is open.  
**S3** - Smoke detector or fan interlock.  
**\*S4** - Single temperature fire closure device.



Model **RCP-1**  
(standard)



Model **RCP-1K**  
(optional)

## RCP Control Switch Function

### Normal

The damper remains open except in either of the following situations:

1. The smoke detector cuts the power to the "Power-Open" motor/actuator.
2. An elevated duct temperature causes the primary\* or secondary fire closure device\* to cut power to the "Power-Open" motor/operator.

### Closed

The damper closes and remains closed regardless of any sensor signal.

### Emergency Open

The damper can be reopened for smoke purging and/or pressurization bypassing the open circuit caused by the smoke detector or the primary fire closure device\*. If an elevated duct temperature exceeds the rating of the secondary fire closure device\*, the damper closes and will remain closed until the duct temperature has returned to a safe level. At that point both fire closure devices\* and the smoke detector can be manually reset, allowing the damper to be reopened.

\*Not applicable for smoke (only) dampers.