

## Application

RCS-10 control dampers employ a single blade and an integrated screw-drive assembly for remote cable operated manual air control and balancing in low pressure and velocity applications.

## Standard Construction

**Frame:** 2" x 22 ga. (51 x 0.85) galvanized steel.

**Blades:** 22 ga. (0.85) galvanized steel.

**Axles:** 3/8" (10) square plated steel.

**Bearings:** Synthetic

**Control Shaft:** 3/8" x 3" (10 x 76) drive axle with a control arm/screw-drive assembly factory installed on a stand-off bracket attached to a 6" x 22 ga. (152 x 0.85) side plate secured to the damper frame.

**Remote Control Cable Assembly:** 5/32" Ø x 36" long (4.0 Ø x 914) cable with 3/16" (4.8) allen hex-head drive, 2" (51) wide mounting bracket, 15/16" x 1 1/2" long (24 x 38) round plastic tube and plastic finishing plug.

**Minimum Size:** 6" x 4" (152 x 102)

**Maximum Size:** 36" x 12" (914 x 305)

## Options

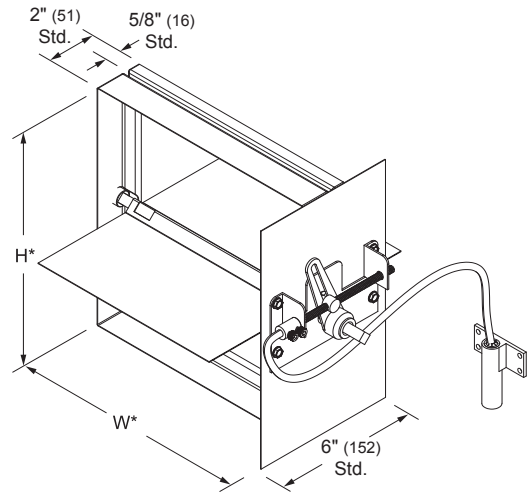
- Alternate factory installed 10" wide side plate:
  - 20 ga. (1.0)    16 ga. (1.6)
- Factory installed integral sleeve:
  - Gauge:  22 (0.85)    20 (1.0)
  - Length:  6" (152)    8" (203)    10" (254)    12" (305)
- Alternate blade:  20 ga. (1.0)    16 ga. (1.6)
- Additional cable length: \_\_\_\_\_ inches
- Hex tool handle:  'L' shaped, Std.    'T'-handle
- Nickel plated steel finishing plug.

## Ratings

**Maximum System Velocity:** 1500 fpm (7.7 m/s)

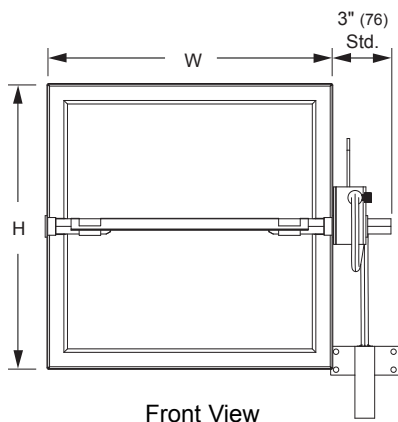
**Maximum System Pressure:** 1 in. wg (0.25 kPa)

**Temperature:** -25°F to 180°F (-32°C to 83°C)

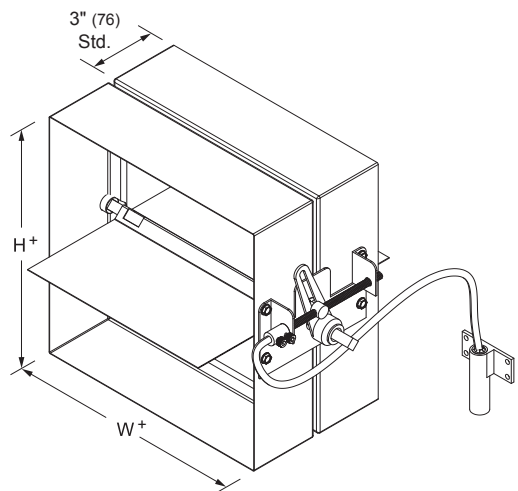


**Model RCS-10**  
(standard)

\*Damper dimensions furnished approximately 1/4" (6) undersize.



Front View



**Sleeve (optional)**

\*Damper dimensions furnished approximately 1/8" (3) undersize.